

■ Heavy Duty Crank shaft kit

For the bikes with Cub's engine

It's the most suitable heavy duty crank shaft kit for our 88cc/SCUT106cc bore up engine with the stock crank shaft. 41.4mm stroke

■ **Adopted X cross-sectional shape connecting rod**

Machined from the forged material, adopted X cross-sectional shape. Lightweight and ensured enough intensity, stiffness is greatly improved. Surface treatment is shot blasting.

■ **Enhancement of the journal portion**

For enhance the strength of the shaft, its diameter of the journal part changed from 20mm to 22mm.

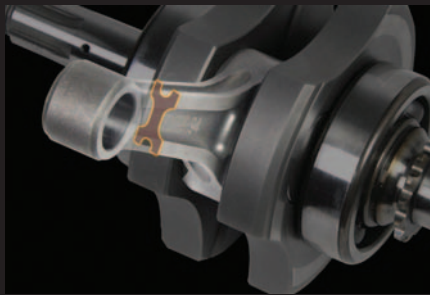
■ **Size up of the crank pin**

Enlarge the size of crank pin of the big end, from $\phi 23.1$ to $\phi 25.1$. for enhancing strength of the big end portion.

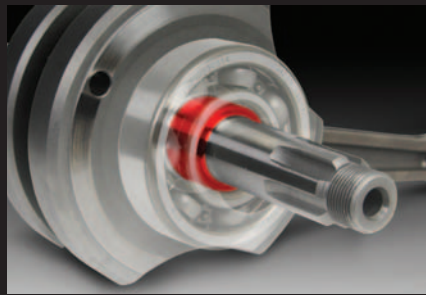
The types of the crank shaft: R crank shaft, L crankshaft, G crankshaft, S crankshaft
Before you purchase, please check the following shape figure or applicable frame No.

■ **Commodity composition**

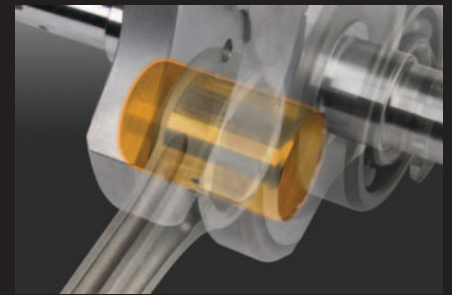
Crankshaft kit: Heavy duty crankshaft, Woodruff key, crankcase gasket, R. crankcase gasket, dai-hard α cam chain.
Crankshaft COMP: Heavy duty crankshaft, Woodruff key.



Adopted X cross-sectional shape connecting rod



Enhancement of the journal portion

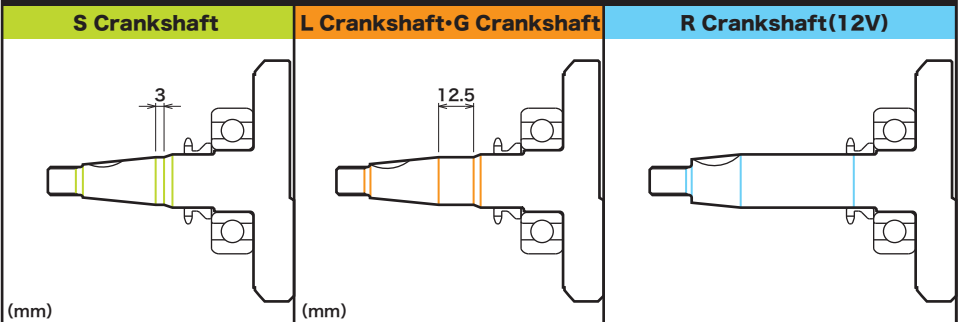


Size up of the crank pin



Heavy Duty Crank shaft kit (R crank shaft)

■ **Cub's engine Crankshaft**



Name	Heavy Duty Crank shaft kit(R crank shaft)
Applicable model	12V Monkey/Gorilla(Z50J-2000001~/AB27-1000001~1899999)·Monkey BAJA·Monkey R/RT·12V DAX50·JAZZ·MAGNA50·MOTRA·Solo·Chaly(CF50-3200001~)·CRF50F/XR50R·CD50/Benly50S/CL50(CD50-1500001~) Little cub·Super cub50(C50-8000001~9501323)·Press cub(C50-9600001~0095210)
Item number	01-10-0122
Price	¥45,000

Name	Heavy Duty Crank shaft kit(L crank shaft)
Applicable model	6V Monkey/Gorilla(Z50J-1323947~1510400)·Chaly(CF50-1000002~2899999)·DAX(ST50-6300022~6346265) CD50(CD50-1100001~1330600)
Item number	01-10-0123
Price	¥45,000

Name	Heavy Duty Crank shaft kit(S crank shaft)
Applicable model	6V Monkey/Gorilla(Z50J-1000001~1323946) DAX(ST50-1000001~6299999)
Item number	01-10-0124
Price	¥45,000

Name	Heavy Duty Crank shaft kit(G crank shaft)
Applicable model	6V Monkey/Gorilla(Z50J-1600008~1805927)
Item number	01-10-0129
Price	¥45,000

Name	Heavy Duty Crank shaft COMP.		
Crankshaft type	R crank shaft	01-10-0125	¥39,800
Item number	L crank shaft	01-10-0126	¥39,800
Price	S crank shaft	01-10-0127	¥39,800
	G crank shaft	01-10-0128	¥39,800