

■ Lock nut wrench (Size : 9.5mm)

Universal

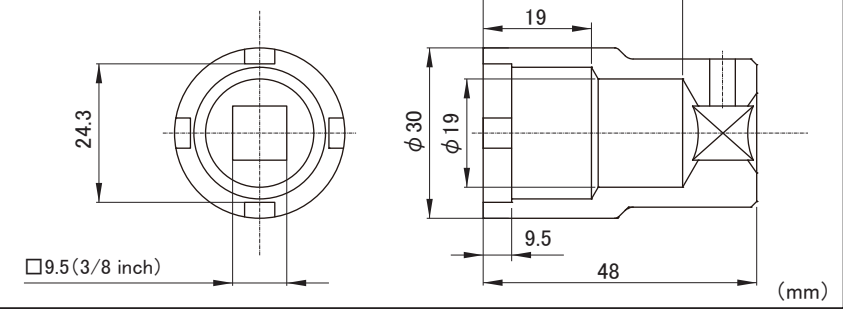
This is a special tool used for assembly and disassembly the lock nut which fix the clutch and crankshaft. We have enough length of the wrench depth sufficiently. Like the crankshaft of GROM / MSX125, it fit to the vehicle with longer screw thread when it is tightened. The wrench made from special steel materials with high strength. The wrench size is popular 9.5 mm (3/8 inch).

✗Impact wrench can not be used.



00-01-1681

Dimensional drawing



Name	Lock nut wrench (Size : 9.5mm)
Applicable model	Universal (GROM/MSX125, etc.)
Item number	00-01-1681