



Instruction Manual for Caliper Bracket

(For 00-06-0003 / 06-08-164)

Item No. : 0 0 0 6 0 0 0 2
 Applied to : Monkey & Gorilla
 Frame Nos : Z50J-1300017 ~ 1510400
 Z50J-1600008 ~
 AB27-1000001 ~

- Thank you for purchasing one of our TAKEGAWA's products. You are requested to follow the below-mentioned instructions in installing this product.
- You are requested to follow the below-mentioned instructions in installing this kit. Should you have any questions about the products, please kindly contact your local dealer.

Please note that, in some cases, the illustrations and photos may vary from the actual hardware.

Read all instructions first before starting the installation

We do not take any responsibility for any accident or damage whatsoever arising from the use of the products not in conformity with the instructions in this Manual.

We shall be held free from any responsibility or compensation whatsoever for any glitch in the parts other than ours if the glitch takes place after the installation and use of this Kit.

If you make modifications to any product of the Kit, we shall be held free from any guarantee of the product.

You are kindly requested not to contact us about the combination of our products with other manufacturers'.

This product is only for exclusive use with our plain hub & damper hub for rear disks, and cannot be used together with other manufacturers' products.

When ordering repair parts, please quote Item No above or reference Nos in the figures in this Manual. Should you have any questions in ordering repair parts, please contact your local motorcycle dealer.

CAUTION

The following show the envisioned possibility of injuries to human bodies and property damage as a result of disregarding the following cautions.

- Work only when the engine and muffler are cool. (Otherwise, you will get burned.)
- Do the installation with right tools. (Otherwise, breakage of parts or injuries to you may take place.)
- Always use a torque wrench to screw bolts and nuts tight and securely to the specified torque. (Otherwise, these parts may get damaged or fall off, resulting in accidents.)
- As some products and frames have sharp edges or protruding portions, please work with your hands protected. (Otherwise, you will suffer injuries.)
- Before riding, always check every hardware like screws for slack. If you find slack ones, screw them securely up to the specified torque. (Otherwise, improper tightening may cause parts to come off.)

WARNING

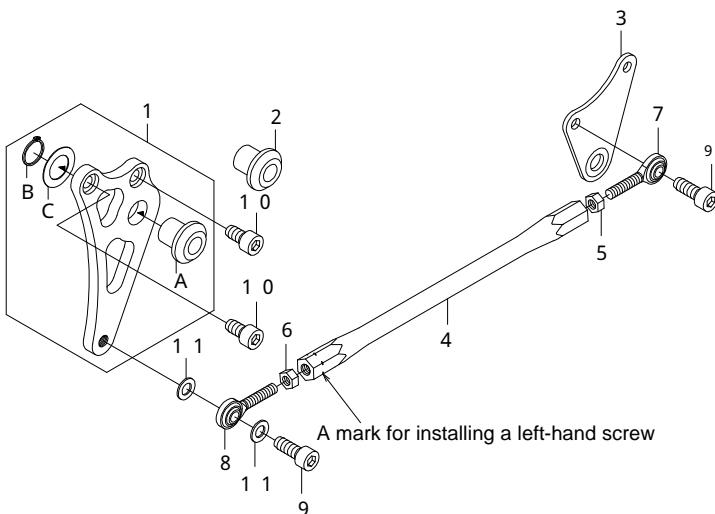
The following show the envisioned possibility of human death or serious injuries to human bodies as a result of disregarding the following warnings.

- When you notice something abnormal with your motorcycle while riding, immediately stop riding and park your motorcycle in a safe place to check what has gone wrong. (Otherwise, the malfunction could lead to accidents.)
- Before doing work, make sure your motorcycle is secure on level ground for safety's sake. (Otherwise, your motorcycle could overturn and injure you while you are working.)
- Check or carry out maintenance of your motorcycle correctly according to the procedures in the instruction manual or service manual. (Improper checking or maintenance could lead to accidents.)
- If you find damaged parts when checking and performing maintenance of your motorcycle, do not use these parts any longer, and replace them with new ones. (The continued use of these damaged parts as they are could lead to accidents.)
- Keep plastic bags for packing the products out of children's reach, or discard them. (If children get them on, there will be a danger of their suffocating.)
- We recommend you to get the brake installed by a skilled mechanic at facilities with special instruments and tools. Otherwise, the wrong installation may cause accidents.

Please be informed that specifications, design, and prices are subject to change without prior notice.

This manual should be retained for future reference.

~ Kit includes ~



No.	Part Name	Qty	Repair Part Item No.	in packs of
1	Caliper bracket COMP.	1	43110-GEF-T00	1
1-A	Bracket sleeve	1	43112-GEF-T00	1
1-B	Snap ring, 17 mm	1	00-0-0069	4
1-C	Shim ring	1	00-00-0070	1
2	Bracket sleeve	1	43114-GEF-T00	1
3	Torque rod bracket COMP.	1	50520-165-T11	1
4	Torque rod, 290 mm	1	51531-165-T60	1
5	Hex nut, 8 mm	1	00-00-0071	2
6	Hex nut, 8 mmL	1	00-00-0072	2
7	Rod end, 8 mm	1	00-00-0073	1
8	Rod end, 8 mmL	1	00-00-0074	1
9	Socket cap screw, 8 x 25	2	00-00-0075	4
10	Socket cap screw, 8 x 12	2	00-00-0047	4
11	Plain washer, 8 mm	2	00-00-0076	10

Please order repair parts by indicating the Repair Part Item No. as listed above. As you see from the list, there are some parts for which we are not in a position to accept your order in the quantity of one. In this case, please order the required parts as a set part unit.

For the installation procedures, please refer to the installation manual for the Rear Disk Hub Kit.

SPECIAL PARTS TAKEGAWA Co.,Ltd.

3-5-16 Nishikiorihigashi Tondabayashi Osaka Japan

TEL : 81-721-25-1357 FAX : 81-721-24-5059 URL : <http://www.takegawa.co.jp>