



Instruction Manual for **R-Stage+D** Conversion Kit to 124cc V Cylinder

Item No. : 01 - 03 7101V

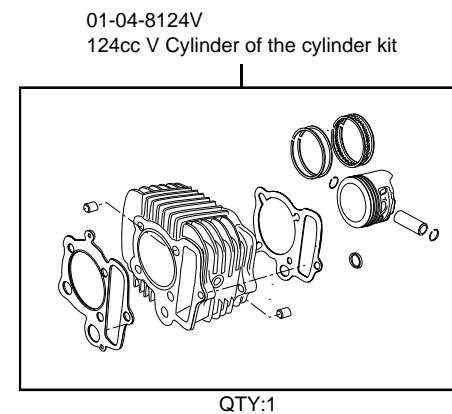
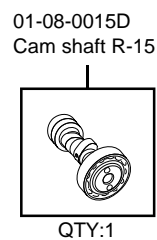
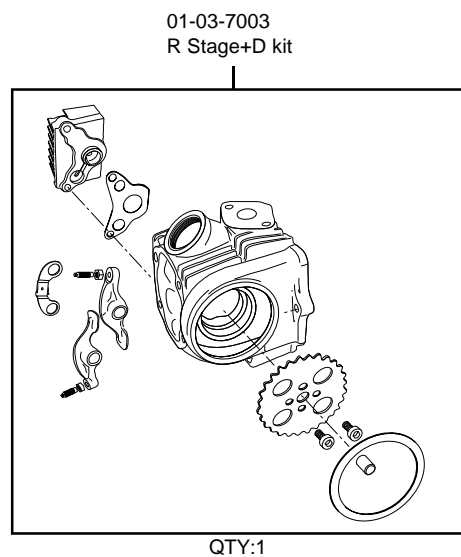
Applicable models and frame Nos:

12V Monkey / Gorilla	: Z50J-2000001 ~	CRF50F	: AE03-1400001 ~
	: AB27-1000001 ~ 1809999	CRF70F	: DE02-1700001 ~
Monkey BAJA	: Z50J-1700001 ~	XR50R	: AE03-1000001 ~
Monkey R/RT	: AB22-1000017 ~	XR70R	: DE02-1000001 ~

- Thank you for purchasing one of our TAKEGAWA's products. Please strictly follow the following instructions in installing and using the products.
- This is a conversion kit from R Stage 124cc or Regular Head 124cc to R Stage+D / Bore Stroke Up (54x54 124cc).
- Before fitting the products, please be sure to check the contents of each kit, and follow instructions in the instruction manual for each kit. Should you have any questions about the products, please kindly contact your ... dealer.

Please note that the descriptions in this manual like illustrations and photos may differ from the actual hardware.

~ Kit Contents ~



Please read the following before installation.

This product is designed for exclusive use on the closed course, but not for use on a public road. Always try to drive your motorcycle at a legal speed, abiding by the laws. We do not take any responsibility for any accident or damage whatsoever arising from the use of the products not in conformity with the instructions in the manuals. This kit is designed for exclusive use in the above-mentioned applicable models and frame Nos only. Please take note that this kit cannot be mounted on other types of motorcycles. Please be informed that, mainly because of improvement in performance, design changes, and cost increase, the product specifications and prices are subject to change without prior notice.

SPECIAL PARTS TAKEGAWA Co.,Ltd.
3-5-16 Nishikiorihigashi Tondabayashi Osaka Japan TEL : 81-721-25-1357 FAX : 81-721-24-5059 URL : <http://www.takegawa.co.jp>