



R-Stage+D Combo Kit with 88cc Cylinder Instruction Manual

R-Stage +D +88cc + MIKUNI VM22 carburetor kit

Item No. : 01 - 05 0079

Applicable models and frame No.:

12V Monkey & Gorilla : Z50J-2000001 ~

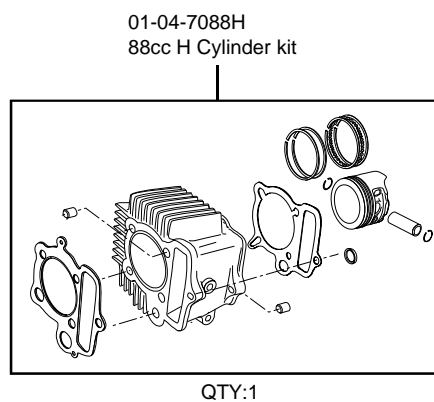
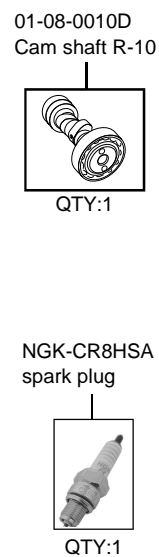
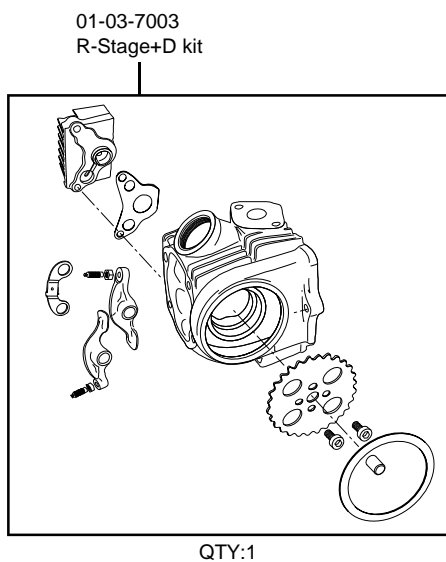
: AB27-1000001 ~ 1899999

Monkey BAJA : Z50J-1700001 ~

- We are flattered that you have purchased one of our products. Please strictly follow the following instructions in installing and using the products.
- This is a kit, for use in the Monkey and Gorilla, consisting of R-Stage+D, Bore Up (52x41.4 88cc) and MIKUNI VM22 carburetor)
- Before fitting the products, please be sure to check the contents of the kit. Should you have any questions about the products, please kindly contact your dealer.

Please note that the descriptions in this manual like illustrations and photos may differ from the actual hardware.

~ Kit Contents ~



Please do read before installation.

This product is designed for exclusive use on the closed course. So, take note that it is prohibited to drive your motorcycle on a public road after installation of this kit. Drive your motorcycle at a legal speed, abiding by the laws.

A stock throttle housing cannot be used. So, please prepare a brake lever, etc. separately.

We do not take any responsibility for any accident or damage whatsoever arising from the use of the products not in conformity with the instructions in the manual.

This kit is designed for exclusive use in the above-mentioned applicable models and frame numbers only. Please take note that this kit cannot be mounted on other models of motorcycles.

Please be informed that, mainly because of improvement in performance, design changes, and cost increase, the product specifications and prices are subject to change without prior notice.

SPECIAL PARTS TAKEGAWA Co.,Ltd.

3-5-16 Nishikiorihigashi Tondabayashi Osaka Japan TEL : 81-721-25-1357 FAX : 81-721-24-5059 URL : <http://www.takegawa.co.jp>