



# *Twin Spark Super head+R* Bore-Up Kit (SCUT), 136cc

- Thank you for purchasing one of our products. Please strictly follow the following instructions in installing and using the kit.
- These products are an Twin Spark Super Head +R and ( 62x45 136cc) Bore-Up kit.  
Before assemble the kit, please be sure to check the contents. Should you have any questions about the products, please kindly contact your local TAKEGAWA dealer.

**Please note that, in some cases, the illustrations and photos may vary from the actual hardware.**

Item No. : 0 1 - 0 5 0 3 1 4

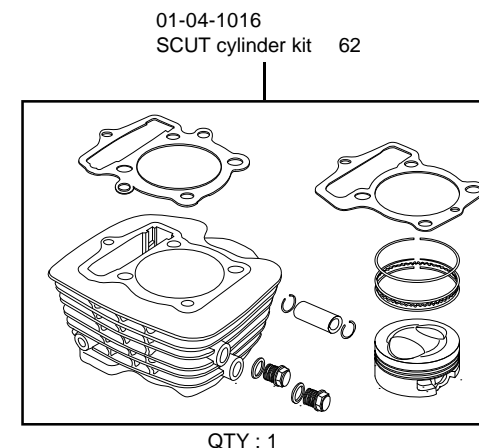
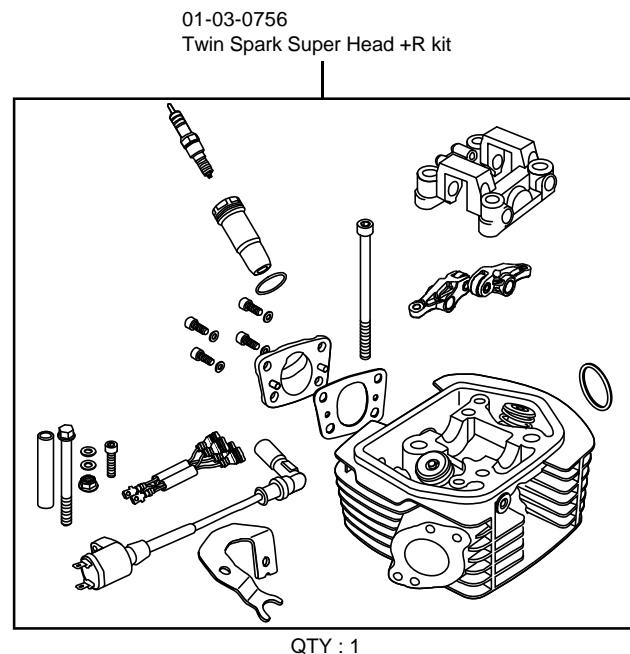
Compatible models and the frame No.:

Ape100 : HC07-1600001 ~

Ape100 Type D : HC13-1000001 ~

(All models need to be equipped with a secondary air supply system.)

## ~ Kit Contents ~



## Please read the following before starting the installation.

This product is designed for exclusive use on the closed course. So, take note that it is prohibited to drive your motorcycle on a public road after installation of this kit to your motorcycle.

We do not take any responsibility for any accident or damage whatsoever arising from the use of the products not in conformity with the instructions in the manual.

Please note that this kit is designed for exclusive use in the above-mentioned applicable models and frame numbers only and that it cannot be mounted on other models.

Please be informed that, mainly because of improvement in performance, design changes, and cost increase, the product specifications and prices are subject to change without prior notice.

We shall be held free from any kind of warranty whatsoever of products other than this product if the glitch takes place on the other products than this one after the installation and use of this product.

**You may install and use this Kit together with an oil-jet-processed crankcase. And you do not have to oil-jet-process the crankcase anew.**

**SPECIAL PARTS TAKEGAWA** Co.,Ltd.

3-5-16 Nishikiorihigashi Tondabayashi Osaka Japan TEL:81-721-25-1357 FAX:81-721-24-5059 URL: <http://www.takegawa.co.jp>