



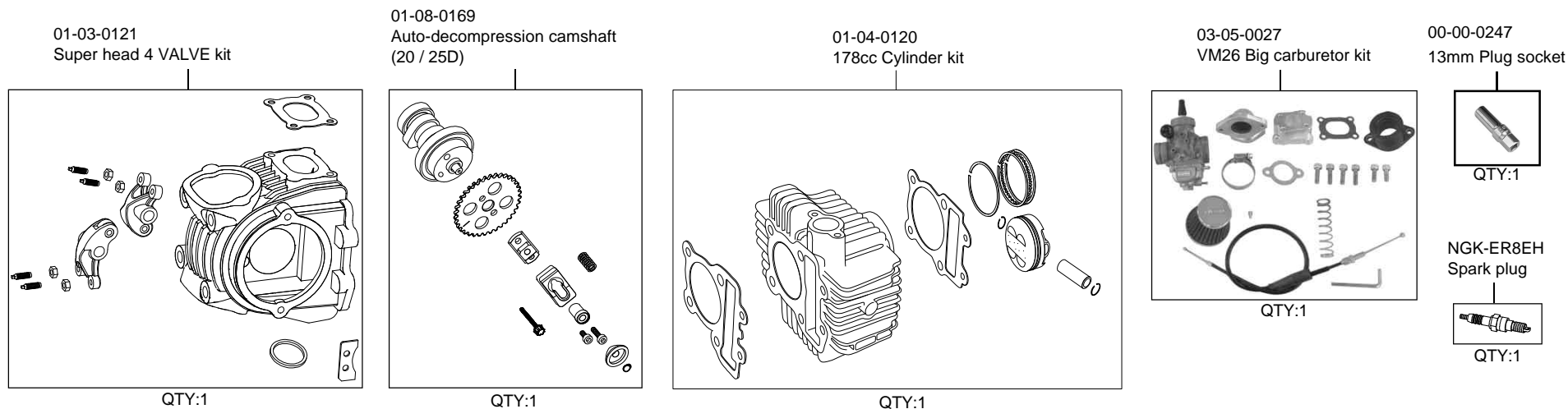
SUPER HEAD 4VALVE SCUT Combo Kit 178cc

Item No. : 01 - 05 0416
Applicable model and frame No.
KLX110L : LX110D-A72046 ~

- Thank you for purchasing one of our products. Please strictly follow the instructions in installing and using the kit.
- This product comprises kits for bore-up (67x50.6 178cc) for Super head 4VALVE for the above-mentioned applicable models, and a VM26 carburetor. The use of a SCUT Cylinder kit soups up the engine to 178 cc. Before installing the kit, please be sure to check the kit contents. Should you have any questions about the kit, please contact your local TAKEGAWA dealer.

Please note: Illustrations and photos may vary from actual hardware.

~ Kit Contents ~



Please read the following before starting the installation

This kit is designed for exclusive use in the closed racing. So, take note that it is prohibited to drive your motorcycle on a public road after the installation of this kit.

We do not take any responsibility for any accident or damage whatsoever arising from the use of the kit not in conformity with the instructions in the manual.

Please note that this kit is designed for exclusive use in the above-mentioned applicable models and frame numbers only and that it cannot be mounted on other models.

Please be informed that, mainly because of improvement in performance, design changes, and cost increase, the product specifications and prices are subject to change without prior notice.

We shall be held free from any kind of warranty whatsoever of products other than this product if the glitch takes place on the other products than this one after the installation and use of this product.

SPECIAL PARTS TAKEGAWA Co.,Ltd.

3-5-16 Nishikiorihigashi Tondabayashi Osaka Japan

TEL : 81-721-25-1357 FAX : 81-721-24-5059 URL : <http://www.takegawa.co.jp>