

# SuperHead ST-3 Bore-up kit, 115cc

(Big Fin Cylinder)

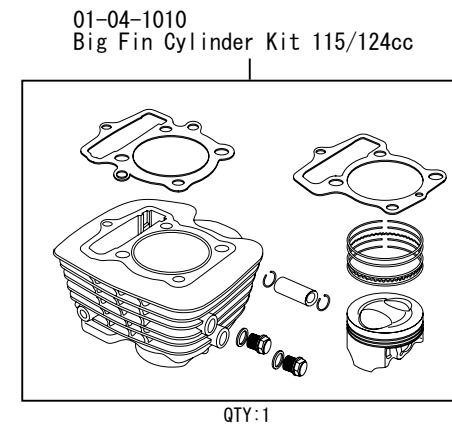
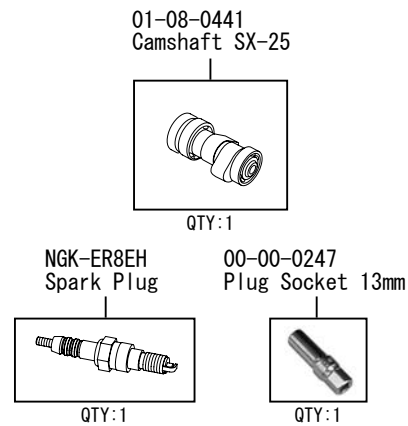
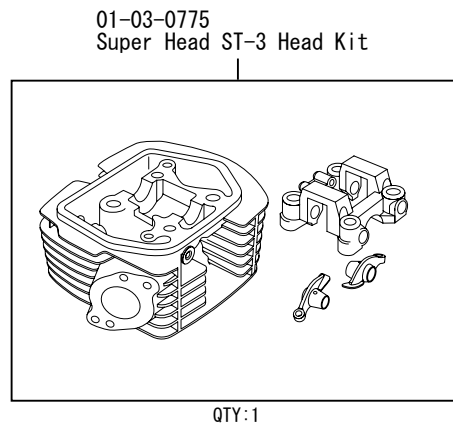
Product number 01-05-0476

Adaptation model	Ape100	(HC07-1000001 ~ )
		(HC13-1000001 ~ )
	XR100 Motard	(HD13-1000001 ~ )
	XR100R	(HE03-2100001 ~ )
	CRF100F	(HE03-2400001 ~ )

- Thank you for purchasing one of our products. Please strictly follow the following instructions in installing and using the kit.
- This product is a kit for bore-up (57x45 115cc) for Super Head ST-3.
- Before assemble the kit, please be sure to check the contents. Should you have any questions about the products, please kindly contact your local TAKEGAWA dealer.

© Please note that, in some cases, the illustrations and photos may vary from the actual hardware.

~ Kit Contents ~



☆ Please read carefully before use ☆

- © This product is designed for exclusive use on the closed course.
- © The use ignoring the instructions that are written in the manual, if the accident or damage has occurred, we can not assume any responsibility for compensation.
- © This product is the above-mentioned vehicle exclusive goods. Is not possible attached to the other vehicle. Please note.
- © Please note. Performance up, the design change, the product and the price in the cost up, etc. are subject to change without notice.
- © Please be informed that we shall be held harmless against any claim against us whatsoever arising out of use of the products in racing and the like.
- © Installation of this kit requires boring processing to a crankcase.

SPECIAL PARTS  
**TAKEGAWA**

CONTACT Address : 3-5-16 Nishikiorihigashi Tondabayashi Osaka JAPAN  
TEL: +81-721-25-1357 FAX:+81-721-24-5059  
e-mail:english@takegawa.co.jp URL http://www.takegawa.co.jp  
Please contact with your name and country name provided. (Only English please)