

SuperHead+R Bore-Up Kit, 115cc

(Big Fin Cylinder)

Product number 01-05-0478

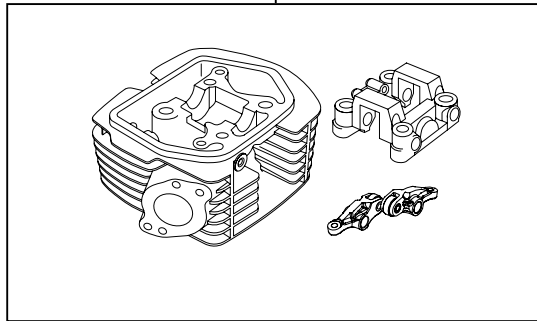
Adaptation model	Ape100	(HC07-1000001 ~) (HC13-1000001 ~)
	XR100 Motard	(HD13-1000001 ~)
	XR100R	(HE03-2100001 ~)
	CRF100F	(HE03-2400001 ~)

- Thank you for purchasing one of our products. Please strictly follow the following instructions in installing and using the kit.
- These products are an SuperHead+R and (57x45 115cc) Bore-Up kit.
- Before assemble the kit, please be sure to check the contents. Should you have any questions about the products, please kindly contact your local TAKEGAWA dealer.

© Please note that, in some cases, the illustrations and photos may vary from the actual hardware.

~ Kit Contents ~

01-03-0774
SuperHead+R Head Kit



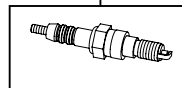
QTY:1

01-08-0445
Camshaft SR-25



QTY:1

NGK-ER8EH
Spark Plug



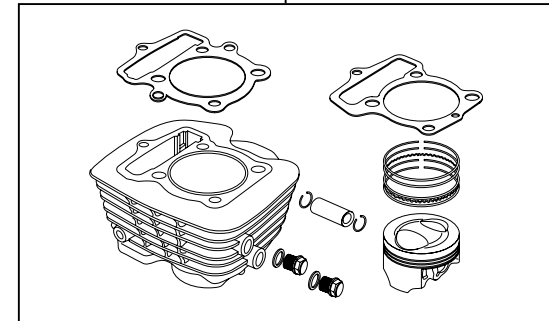
QTY:1

00-00-0247
Plug Socket 13mm



QTY:1

01-04-1010
Big Fin Cylinder Kit 115/124cc



QTY:1

☆ Please read carefully before use ☆

- © This product is designed for exclusive use on the closed course.
- © The use ignoring the instructions that are written in the manual, if the accident or damage has occurred, we can not assume any responsibility for compensation.
- © This product is the above-mentioned vehicle exclusive goods. Is not possible attached to the other vehicle. Please note.
- © Please note. Performance up, the design change, the product and the price in the cost up, etc. are subject to change without notice.
- © Please be informed that we shall be held harmless against any claim against us whatsoever arising out of use of the products in racing and the like.
- © Installation of this kit requires boring processing to a crankcase.

SPECIAL PARTS
TAKEGAWA

CONTACT Address : 3-5-16 Nishikiorihigashi Tondabayashi Osaka JAPAN
TEL: +81-721-25-1357 FAX:+81-721-24-5059
e-mail:english@takegawa.co.jp URL http://www.takegawa.co.jp
Please contact with your name and country name provided. (Only English please)