

17R-Stage E Combo Kit 88cc

(Entry Model)

Product number 01-05-0531

Adaptation model	Monkey/Gorilla (Z50J-2000001 ~)
	(AB27-1000001 ~ 1899999)
	Monkey BAJA (Z50J-1700001 ~)

- Thank you very much for purchasing our products. Thank you so you will comply with the following matters at the time of use.
- This is a kit, for use in the Monkey and Gorilla, consisting of 17R-Stage E (Entry Model) / bore up (52x41.4 88cc) and Keihin PC20 carburetor
- Before fitting the products, please check the contents of the kit.

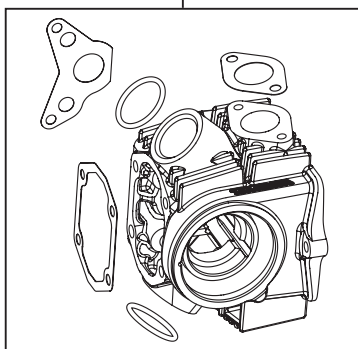
We hope that you will follow the instructions for each kit.

Should you have any questions about the products, please kindly contact your dealer.

© If the description, such as photos or Illustration different with this part.

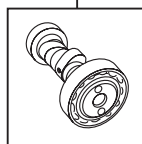
~ Product content ~

01-03-0023
17R-Stage E Hed kit



QTY:1

01-08-0009
Super Sports Cam shaft



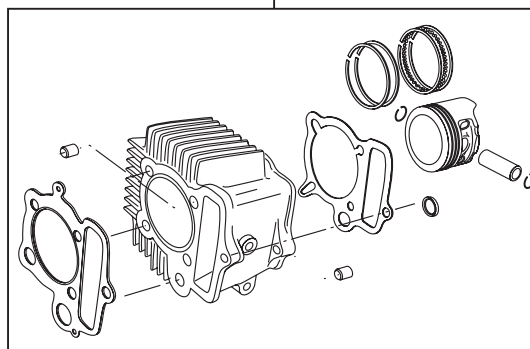
QTY:1

NGK-CR8HSA
spark plug



QTY:1

01-04-7088H
Cylinder kit 88cc (H Cylinder)



QTY:1

03-05-018
Big carburetor kit(PC20)



QTY:1

03-01-110
Air filter Type 2



QTY:1

☆ Please read carefully before use ☆

- © This kit is designed for exclusive use for the closed racing. So never use this kit for running on a public road.
- © We do not take any responsibility for any accident or damage whatsoever arising from the use of this kit not in conformity with the instructions in the manual.
- © This kit is designed for exclusive use in the above-mentioned applicable models with the specified frame numbers only. Please take note that this kit cannot be mounted on other types of motorcycles.
- © Please be informed that, mainly because of improvement in performance, design changes, and cost increase, the product specifications and prices are subject to change without prior notice.

SPECIAL PARTS
TAKEGAWA

CONTACT Address: 3-5-16 Nishikiorihigashi Tondabayashi Osaka JAPAN
TEL: +81-721-25-1357 FAX: +81-721-24-5059 e-mail: english@takegawa.co.jp URL: http://www.takegawa.co.jp
Please contact with your name and country name provided. (Only English please)