

Hyper R-Stage KIT

Product number 01-05-3424

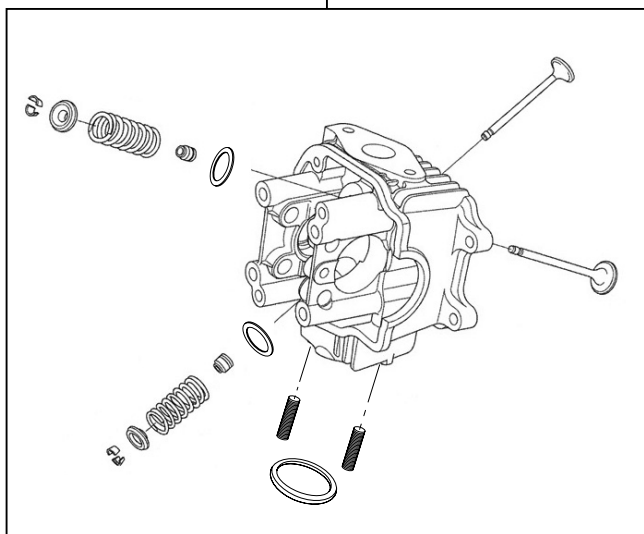
Adaptation model	Super cub 50 (FI) (AA01-1700001 ~)
	Little cub 50 (FI) (AA01-4000001 ~)

- We are flattered that you have purchased one of our products. Please strictly follow the instructions in installing and using the products.
- This Kit comprises a R-Stage / Bore Up (52x41.4, 88cc), an FI Controller PLUS and an air filter.
- Before install the products, please be sure to check the contents of the kit. Should you have any questions about the products, please kindly contact your dealer.

© If the description, such as photos or Illustration different with this part.

~ Kit Contents ~

01-03-7011
R-Stage Head Kit



QTY:1

01-04-7003
CYLINDER KIT



QTY:1

03-01-1107
エアフィルター



QTY:1

05-04-0046
FI-CON PLUS



QTY:1

02-05-051
ドライブsproケット 16T



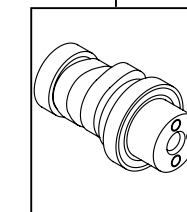
QTY:1

NGK-CR8HSA
Spark plug #8



QTY:1

01-08-0127
CAM SHAFT (F-10)



QTY:1

☆ Please read carefully before use ☆

- © This product is designed for exclusive use on the closed course.
- © We do not take any responsibility for any accident or damage whatsoever arising from the use of the products not in conformity with the instructions in the manual.
- © This kit is designed for exclusive use in the above-mentioned applicable models and frame numbers only. Please take note that this kit cannot be mounted on other models of motorcycles.
- © Please be informed that, mainly because of improvement in performance, design changes, and cost increase, the product specifications and prices are subject to change without prior notice.
- © When this Kit alone is used, it does not give the best performance. Be sure to install our exhaust system additionally

SPECIAL PARTS
TAKEGAWA

CONTACT Address : 3-5-16 Nishikiorihigashi Tondabayashi Osaka JAPAN
TEL: +81-721-25-1357 FAX: +81-721-24-5059 e-mail: english@takegawa.co.jp URL <http://www.takegawa.co.jp>
Please contact with your name and country name provided. (Only English please)