



Super head+R Bore Up Kit 88cc V Plated Cylinder

Item No. : 01 - 05 8038

Applicable models and frame Nos

12V Monkey / Gorilla : Z50J-2000001 ~

: AB27-1000001 ~ 1809999

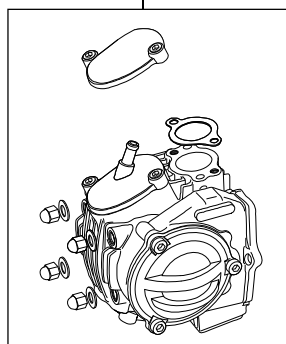
Monkey BAJA : Z50J-1700001 ~

Monkey R/RT : AB27-1000017 ~

- Thank you for purchasing one of our products. Please strictly follow the following instructions in installing and using the products.
- This is a Super head+R / bore up (54x41.4 88cc) kit for the Monkey and Gorilla. This product, with a camshaft equipped with an automatic decompression function, is so designed that the engine can start easily. Before fitting the products, please check the contents of the kit. We hope that you will follow the instructions for each kit. Should you have any questions about the products, please kindly contact your dealer.

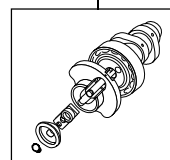
~ Kit Contents ~

01-03-8010
Super Head+R kit



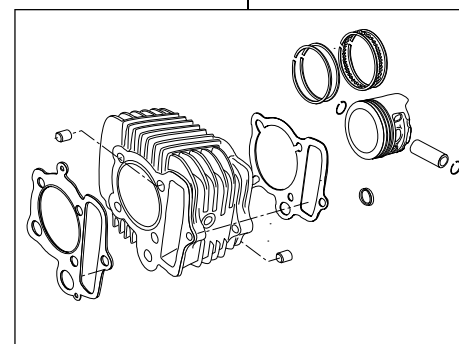
QTY:1

01-08-0102
Cam shaft S-15D



QTY:1

01-04-8088VAS
Cylinder kit 88cc VA cylinder



QTY:1

Please read the following before starting the installation

This kit is designed for exclusive use for the closed racing. So never use this kit for running on a public road.

We do not take any responsibility for any accident or damage whatsoever arising from the use of this kit not in conformity with the instructions in the manual.

This kit is designed for exclusive use in the above-mentioned applicable models with the specified frame numbers only. Please take note that this kit cannot be mounted on other types of motorcycles.

Please be informed that, mainly because of improvement in performance, design changes, and cost increase, the product specifications and prices are subject to change without prior notice.

SPECIAL PARTS TAKEGAWA Co.,Ltd.

3-5-16 Nishikiorihigashi Tondabayashi Osaka Japan

TEL : 81-721-25-1357 FAX : 81-721-24-5059 URL : <http://www.takegawa.co.jp>