

SuperHead 4-Valve+R Bore Up Kit 88cc

(H Cylinder · 10/15 Cam shaft)

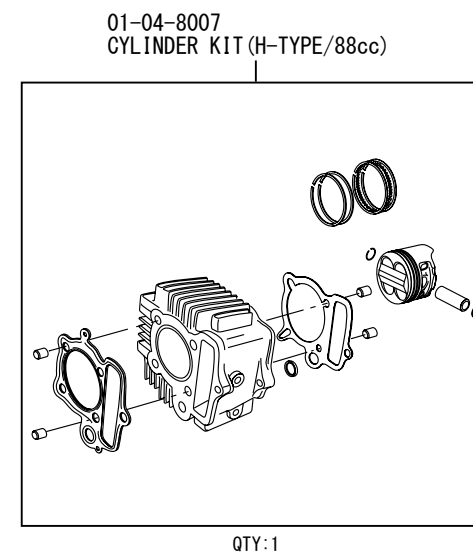
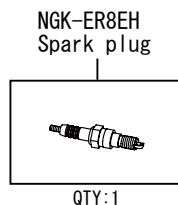
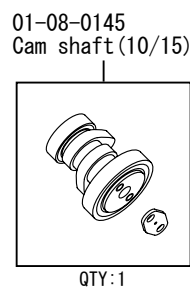
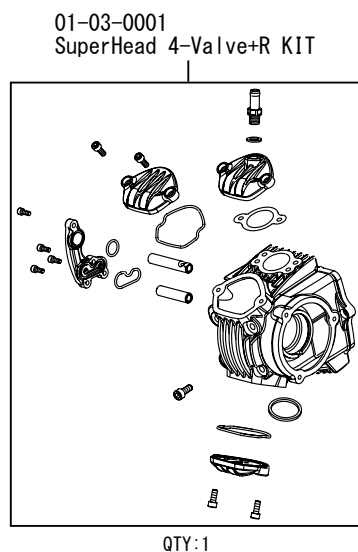
Product number 01-05-8052

Adaptation model	12V Monkey & Gorilla (Z50J-2000001 ~)
	(AB27-1000001 ~ 1899999)
	Monkey R (AB22-1000017 ~)
	Monkey RT (AB22-1007601 ~)

- We are flattered that you have purchased one of our products. Please strictly follow the instructions in installing and using the products.
- This is a Super head 4VALVE + R / bore up (52x41.4 88cc) kit for the Monkey and Gorilla.
- Before install the products, please be sure to check the contents of the kit. Should you have any questions about the products, please kindly contact your dealer.

© If the description, such as photos or Illustration different with this part.

~ Kit Contents ~



☆ Please read carefully before use ☆

- © This kit is designed for exclusive use for the closed racing.
- © We do not take any responsibility for any accident or damage whatsoever arising from the use of the products not in conformity with the instructions in the manual.
- © Due to valve and piston clearance, do NOT use 25/30D and higher profile camshaft for 88cc engine.
- © This kit is designed for exclusive use in the above-mentioned applicable models and frame numbers only. Please take note that this kit cannot be mounted on other models of motorcycles.
- © Please be informed that, mainly because of improvement in performance, design changes, and cost increase, the product specifications and prices are subject to change without prior notice.

SPECIAL PARTS
TAKEGAWA

CONTACT Address : 3-5-16 Nishikiorihigashi Tondabayashi Osaka JAPAN
TEL: +81-721-25-1357 FAX:+81-721-24-5059 e-mail:english@takegawa.co.jp URL <http://www.takegawa.co.jp>
Please contact with your name and country name provided. (Only English please)