

SuperHead 4-Valve+R Bore Up Kit 105cc

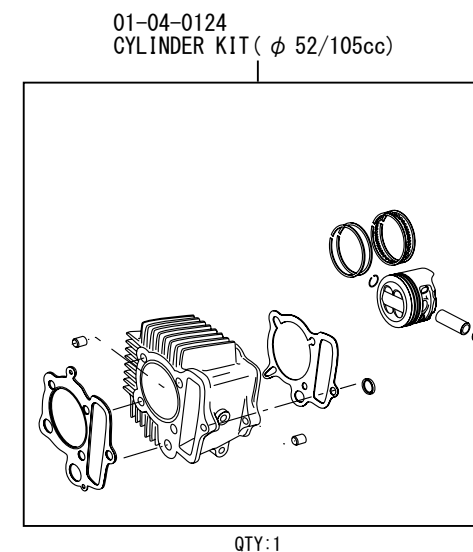
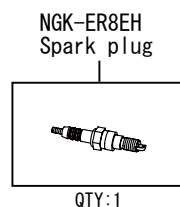
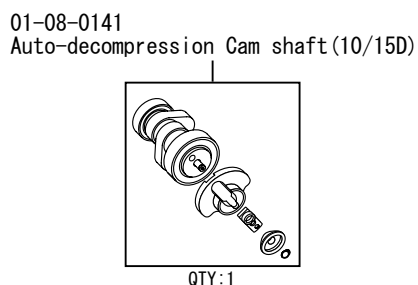
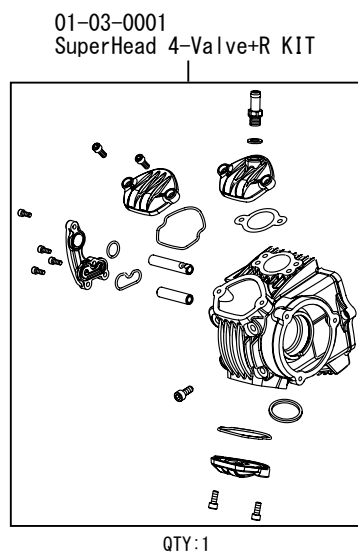
Product number 01-05-8054

Adaptation model and frame No. CD90 engines (HA03-1100005 ~)

- We are flattered that you have purchased one of our products. Please strictly follow the instructions in installing and using the products.
- This is a Super Head 4valve +R / Bore-Up (52 x 49.5 105.1 cc) kit for a CD90 engine. This product, with a camshaft equipped with an automatic decompression function, is so designed that the engine can start easily.
- Before install the products, please be sure to check the contents of the kit. Should you have any questions about the products, please kindly contact your dealer.

© If the description, such as photos or Illustration different with this part.

~ Kit Contents ~



☆ Please read carefully before use ☆

- © This product is designed for exclusive use on the closed course.
- © We do not take any responsibility for any accident or damage whatsoever arising from the use of the products not in conformity with the instructions in the manual.
- © This kit is designed for exclusive use in the above-mentioned applicable models and frame numbers only. Please take note that this kit cannot be mounted on other models of motorcycles.
- © Please be informed that, mainly because of improvement in performance, design changes, and cost increase, the product specifications and prices are subject to change without prior notice.
- © This kit is applicable to the Monkey and Gorilla equipped with a CD90 engine. Please select a carburetor kit and exhaust muffler for the Money and Gorilla.

SPECIAL PARTS
TAKEGAWA

CONTACT Address : 3-5-16 Nishikiorihigashi Tondabayashi Osaka JAPAN
TEL: +81-721-25-1357 FAX: +81-721-24-5059 e-mail: english@takegawa.co.jp URL: <http://www.takegawa.co.jp>
Please contact with your name and country name provided. (Only English please)