



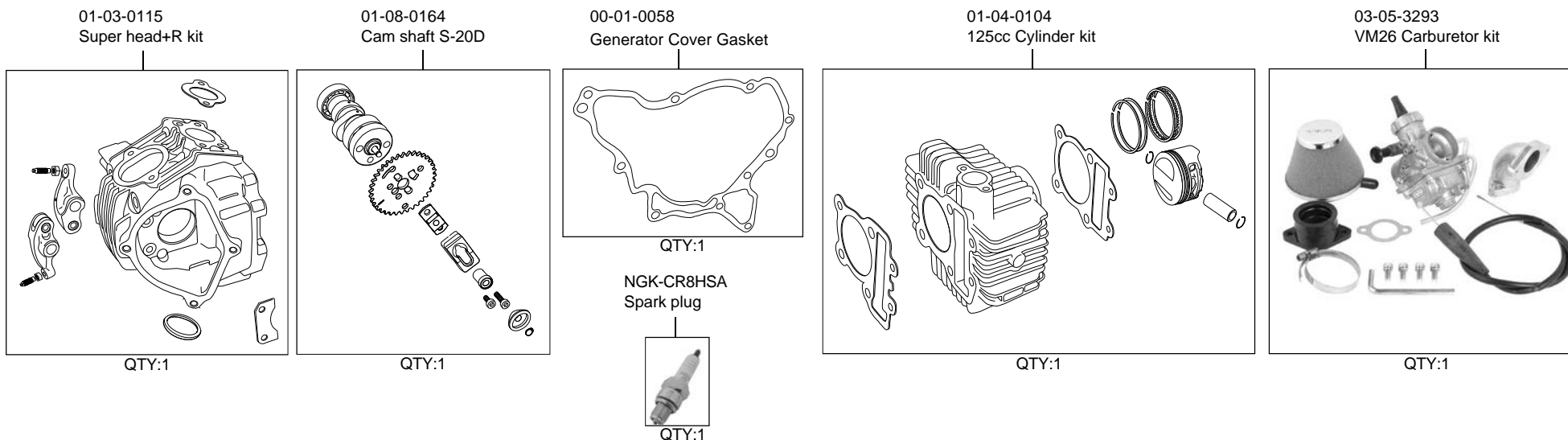
Super head+R for 125cc Combo Kit Instruction Manual

Item No. : 01 - 05 8831
Applicable models and frame No.:
KLX110L : LX110D-A72046 ~

- Thank you for purchasing one of our products. Please strictly follow the following instructions in installing and using the kit.
 - This product comprises kits for bore-up (56X50.6 124.6cc) for Super Head+R for the KLX110L, and a VM26 carburetor.
- Before fitting the products, please be sure to check the contents of the kits. You are requested to follow the instructions for each kit. Should you have any questions about the products, please contact your local motorcycle dealer.

Please note: Illustrations and photos may vary from actual hardware.

~ Kit Contents ~



Please read the following before starting the installation

This kit is designed for exclusive use for the closed racing. So never use this kit for driving on a public road.

We do not take any responsibility for any accident or damage whatsoever arising from the use of the kit not in conformity with the instructions in the manual.

Please note that this kit is designed for exclusive use in the above-mentioned applicable models and frame numbers only and that it cannot be mounted on other models.

Please be informed that, mainly because of improvement in performance, design changes, and cost increase, the product specifications and prices are subject to change without prior notice.

SPECIAL PARTS TAKEGAWA Co.,Ltd.
3-5-16 Nishikiorihigashi Tondabayashi Osaka Japan
TEL : 81-721-25-1357 FAX : 81-721-24-5059 URL : <http://www.takegawa.co.jp>