

SuperHead 4-Valve(+R) Head COMBO Kit

(VM26/SCUT/Decompression/106cc)

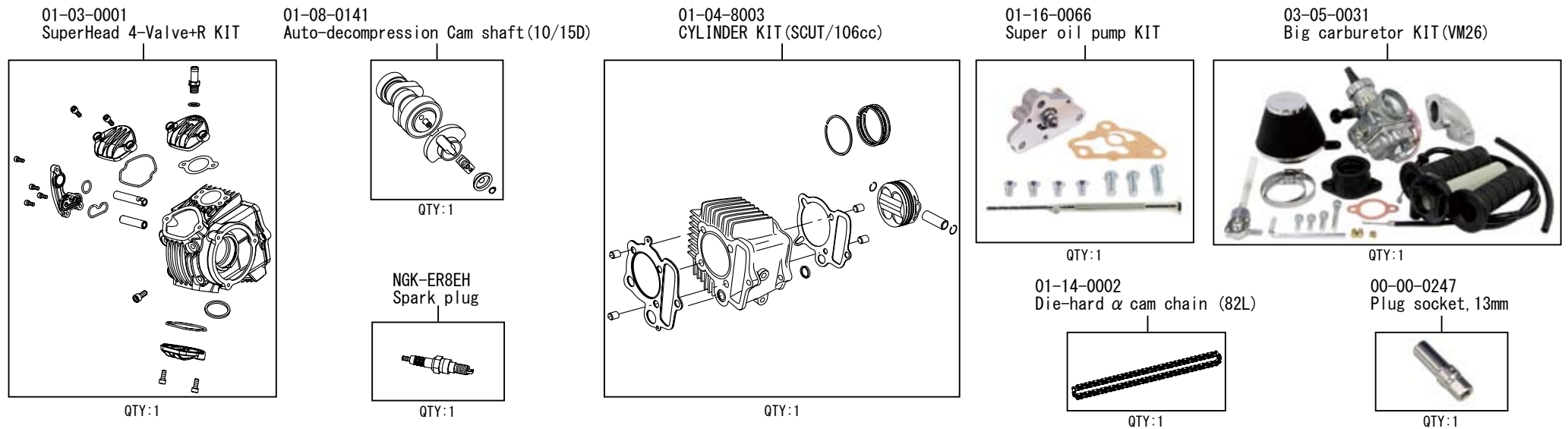
Product number 01-05-8834

Adaptation model 12V Monkey/Gorilla (Z50J-2000001 ~)
(AB27-1000001 ~ 1899999)

- We are flattered that you have purchased one of our products. Please strictly follow the instructions in installing and using the products.
- This is a 106cc full kit comprising a set of a cam chain and an oil pump in addition to a Super head 4 VALVE + R / SCUT Bore Up (57x41.4mm, 106cc) and a MIKUNI VM26 Carburetor Set for the Monkey and Gorilla.
- Before install the products, please be sure to check the contents of the kit. Should you have any questions about the products, please kindly contact your dealer.

© If the description, such as photos or Illustration different with this part.

~ Kit Contents ~



☆ Please read carefully before use ☆

- © This product is designed for exclusive use on the closed course.
- © A stock throttle housing cannot be used. So, please prepare a brake lever, etc. separately.
- © We do not take any responsibility for any accident or damage whatsoever arising from the use of the products not in conformity with the instructions in the manual.
- © This kit is designed for exclusive use in the above-mentioned applicable models and frame numbers only. Please take note that this kit cannot be mounted on other models of motorcycles.
- © Please be informed that, mainly because of improvement in performance, design changes, and cost increase, the product specifications and prices are subject to change without prior notice.

SPECIAL PARTS
TAKEGAWA

CONTACT Address : 3-5-16 Nishikiorihigashi Tondabayashi Osaka JAPAN
TEL: +81-721-25-1357 FAX: +81-721-24-5059 e-mail: english@takegawa.co.jp URL: http://www.takegawa.co.jp
Please contact with your name and country name provided. (Only English please)