

SuperHead 4-Valve(+R) Head COMBO Kit

(VM26/88cc/10-15/H/Decompression)

Product number 01-05-8835

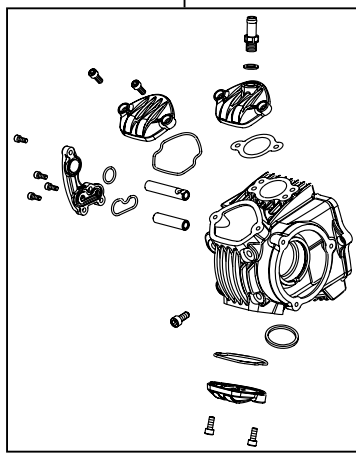
Adaptation model 12V Monkey/Gorilla (Z50J-2000001 ~)
(AB27-1000001 ~ 1899999)

- We are flattered that you have purchased one of our products. Please strictly follow the instructions in installing and using the products.
- This is a kit, newly designed for use in the Monkey and Gorilla, consisting of Super head 4VALVE + R, Bore Up (52x41.4 88cc) and Mikuni VM26 carburetor. This product, with a camshaft equipped with an automatic decompression function, is so designed that the engine can start easily.
- Before install the products, please be sure to check the contents of the kit. Should you have any questions about the products, please kindly contact your dealer.

© If the description, such as photos or Illustration different with this part.

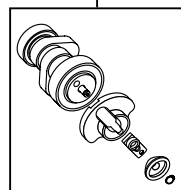
~ Kit Contents ~

01-03-0001
SuperHead 4-Valve+R KIT



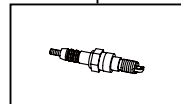
QTY:1

01-08-0141
Auto-decompression Cam shaft(10/15D)



QTY:1

NGK-ER8EH
Spark plug



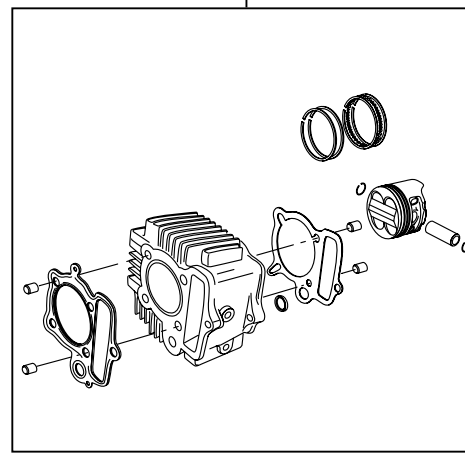
QTY:1

00-00-0247
Plug socket, 13mm



QTY:1

01-04-8007
CYLINDER KIT (H-TYPE/88cc)



QTY:1

03-05-0031
Big carburetor KIT (VM26)



QTY:1

☆ Please read carefully before use ☆

- © This product is designed for exclusive use on the closed course.
- © A stock throttle housing cannot be used. So, please prepare a brake lever, etc. separately.
- © We do not take any responsibility for any accident or damage whatsoever arising from the use of the products not in conformity with the instructions in the manual.
- © Due to valve and piston clearance, do NOT use 25/30D and higher profile camshaft for 88cc engine.
- © This kit is designed for exclusive use in the above-mentioned applicable models and frame numbers only. Please take note that this kit cannot be mounted on other models of motorcycles.
- © Please be informed that, mainly because of improvement in performance, design changes, and cost increase, the product specifications and prices are subject to change without prior notice.

SPECIAL PARTS
TAKEGAWA

CONTACT Address : 3-5-16 Nishikiorihigashi Tondabayashi Osaka JAPAN
TEL: +81-721-25-1357 FAX:+81-721-24-5059 e-mail:english@takegawa.co.jp URL http://www.takegawa.co.jp
Please contact with your name and country name provided. (Only English please)