

# 17R-Stage+D Bore Stroke Up Kit 106cc

Product number 01-06-0009

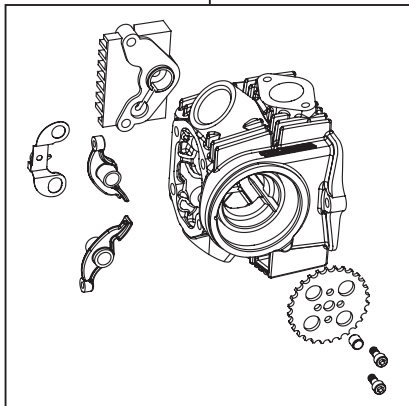
- Thank you very much for purchasing our products. Thank you so you will comply with the following matters at the time of use.
- This is a 17R Stage+D / bore Stroke up (52x50 106cc) kit .  
Before fitting the products, please check the contents of the kit. We hope that you will follow the instructions for each kit.  
Should you have any questions about the products, please kindly contact your dealer.

◎ If the description, such as photos or Illustration different with this part.

Adaptation model	Monkey/Gorilla	(Z50J-2000001 ~ ) (AB27-1000001 ~ 1899999)
	Monkey R/RT	(AB22-1000017 ~ )
	Monkey BAJA	(Z50J-1700001 ~ )
	CD50	(CD50-1500001 ~ )
	CL50	(CD50-4000001 ~ )
	BENLY50S	(CD50-2200005 ~ )
	DAX50	(AB26-1000001 ~ )
	MAGNA50	(AC13-1000001 ~ )
	CRF50F/XR50R	(AE03-1000001 ~ ) (AE03-1400001 ~ )
	CRF70F/XR70R	(DE02-1000001 ~ ) (DE02-1700001 ~ )

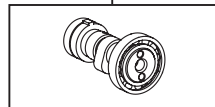
~ Product content ~

01-03-0022  
17R-Stage+D Head kit



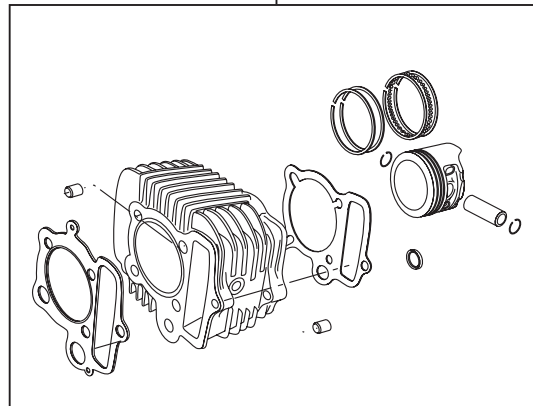
QTY:1

01-08-0172  
Cam shaft R-10E



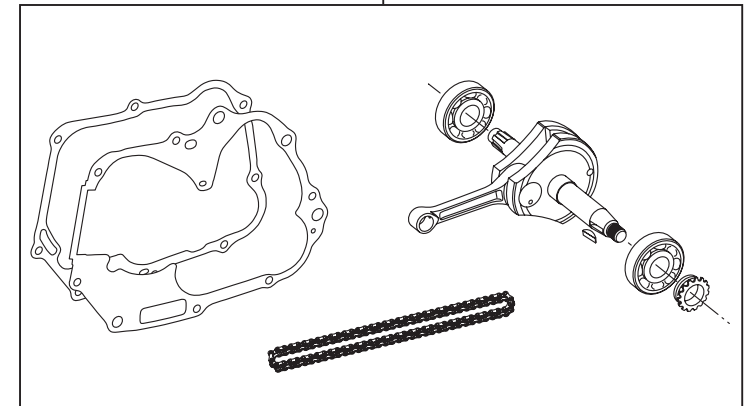
QTY:1

01-04-7106V  
Cylinder kit 106cc (V Cylinder)



QTY:1

01-10-8432  
50mm Stroke-up crankshaft kit



QTY:1

☆ Please read carefully before use ☆

- ◎ This kit is designed for exclusive use for the closed racing. So never use this kit for running on a public road.
- ◎ We do not take any responsibility for any accident or damage whatsoever arising from the use of this kit not in conformity with the instructions in the manual.
- ◎ This kit is designed for exclusive use in the above-mentioned applicable models with the specified frame numbers only. Please take note that this kit cannot be mounted on other types of motorcycles.
- ◎ Please be informed that, mainly because of improvement in performance, design changes, and cost increase, the product specifications and prices are subject to change without prior notice.

**SPECIAL PARTS**  
**TAKEGAWA**

CONTACT Address : 3-5-16 Nishikiorihigashi Tondabayashi Osaka JAPAN  
TEL: +81-721-25-1357 FAX: +81-721-24-5059 e-mail: english@takegawa.co.jp URL http:// www.takegawa.co.jp  
Please contact with your name and country name provided. (Only English please)