

## SuperHead+R Bore- & Stroke-up kit, 124cc

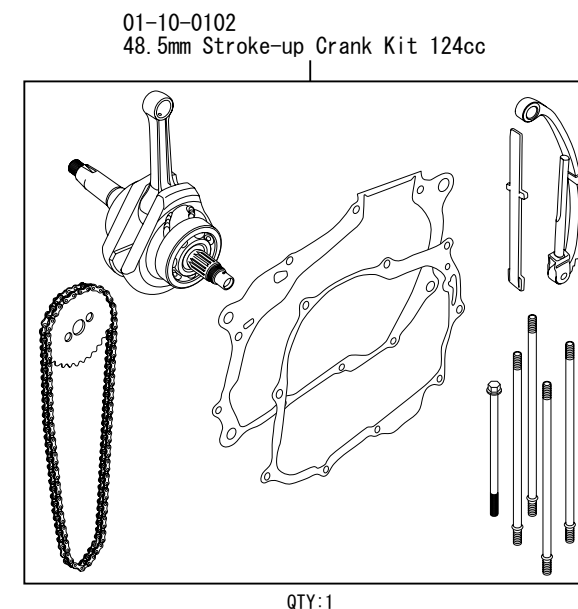
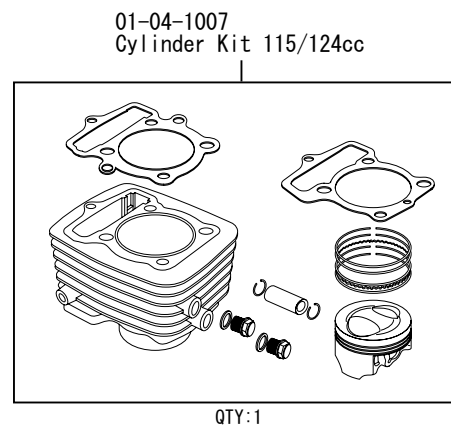
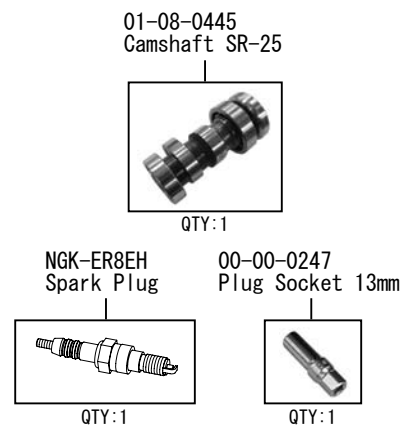
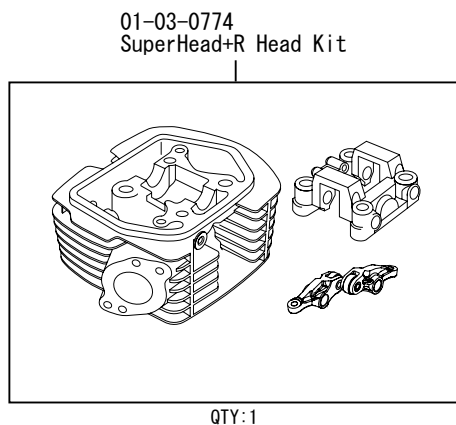
Product number 01-06-0027

Adaptation model	Ape50 (AC16-1000001 ~ 1599999)
	XR50 Motard (AD14-1000001 ~ )

- Thank you for purchasing one of our products. Please strictly follow the following instructions in installing and using the kit.
- This product is a kit for bore- and stroke-up (57x48.5 124cc) for Super Head+R.
- Before assemble the kit, please be sure to check the contents. Should you have any questions about the products, please kindly contact your local TAKEGAWA dealer.

◎ Please note that, in some cases, the illustrations and photos may vary from the actual hardware.

### ~ Kit Contents ~



☆ Please read carefully before use ☆

- ◎ This product is designed for exclusive use on the closed course.
- ◎ The use ignoring the instructions that are written in the manual, if the accident or damage has occurred, we can not assume any responsibility for compensation.
- ◎ This product is the above-mentioned vehicle exclusive goods. Is not possible attached to the other vehicle. Please note.
- ◎ Please note. Performance up, the design change, the product and the price in the cost up, etc. are subject to change without notice.
- ◎ Please be informed that we shall be held harmless against any claim against us whatsoever arising out of use of the products in racing and the like.
- ◎ Installation of this kit requires boring processing to a crankcase.

**SPECIAL PARTS**  
**TAKEGAWA**

CONTACT Address : 3-5-16 Nishikiorihigashi Tondabayashi Osaka JAPAN  
 TEL : +81-721-25-1357 FAX: +81-721-24-5059  
 e-mail: english@takegawa.co.jp URL http://www.takegawa.co.jp  
 Please contact with your name and country name provided. (Only English please)