



DOHC 4V + D 100cc Kit

Item No. : 01 - 06 - 6030

Compatible Models and Frame No.:

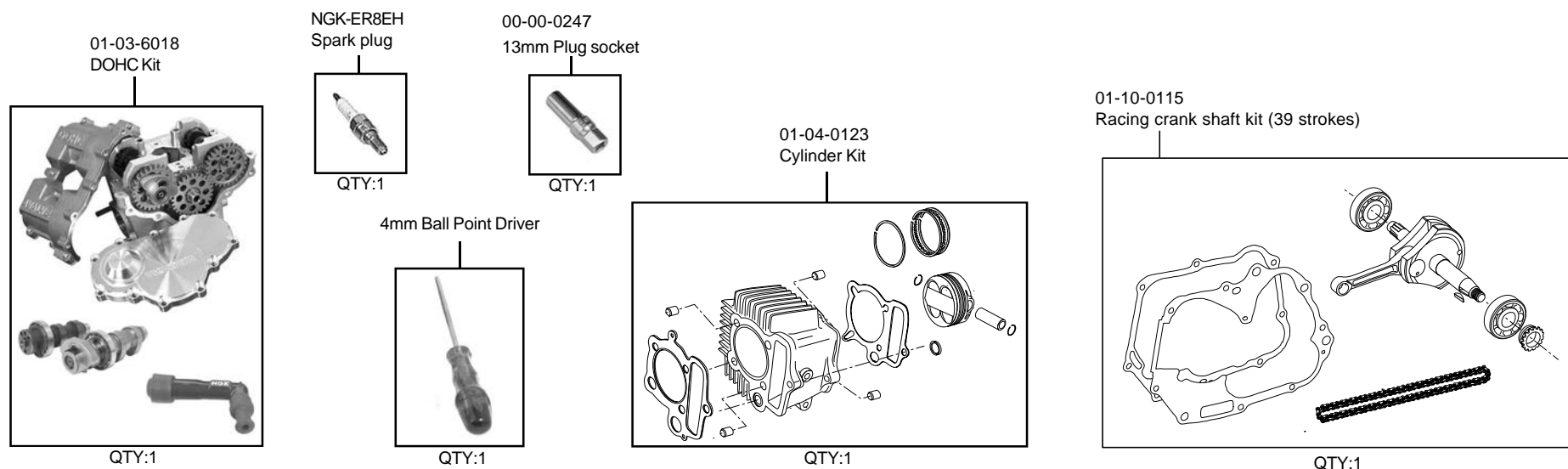
12V Monkey & Gorilla : Z50J -2000001 ~

: AB27-1000001 ~ 1899999

- Thank you for purchasing one of our products. Please strictly follow the following instructions in installing and using the kit.
 - This is the DOHC 100cc (57mm x 39mm) Bore and Stroke Up Kit for Monkey / CRF.
- Before installing the kit, please be sure to check the kit contents. Should you have any questions about the kit, please contact your local motorcycle dealer.

Please note that, in some cases, the illustrations and photos may vary from the actual hardware.

~ Kit Contents ~



Read all instructions first before starting the installation

This kit is designed for exclusive use for the closed racing. So never use this kit for running on a public road.

We do not take any responsibility for any accident or damage whatsoever arising from the use of the kit not in conformity with the instructions in the manual.

Please note that this kit is designed for exclusive use in the above-mentioned compatible models and frame numbers only and that it cannot be mounted on other models.

Please be informed that, mainly because of improvement in performance, design changes, and cost increase, the product specifications and prices are subject to change without prior notice.

SPECIAL PARTS TAKEGAWA Co.,Ltd.

3-5-16 Nishikiorihigashi Tondabayashi Osaka Japan

TEL : 81-721-25-1357 FAX : 81-721-24-5059 URL : <http://www.takegawa.co.jp>