



***Super head+R* Bore Stroke Up Kit 124cc**

(Barrel-Finish Cylinder Head)

Item No. : 0 1 - 0 6 8 1 2 6

Applicable models and frame No.

12V Monkey / Gorilla : Z50J-2000001 ~	CRF50F : AE03-1400001 ~
: AB27-1000001 ~ 1899999	CRF70F : DE02-1700001 ~
Monkey R/RT : AB27-1000017 ~	XR50R : AE03-1000001 ~
	XR70R : DE02-1000001 ~

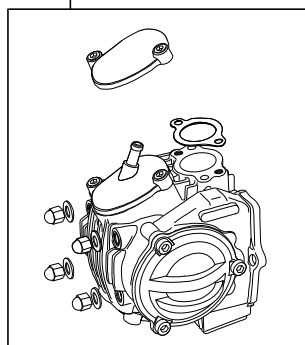
- Thank you for purchasing one of our products. Please strictly follow the following instructions in installing and using the products.
- These products are kits for a (barrel-finished) Super head+R / bore stroke up (54x54 124cc) kit. This product, with a camshaft equipped with an automatic decompression function, is so designed that the engine can start easily.

Before fitting the products, please check the contents of the kit. We hope that you will follow the instructions for each kit. Should you have any questions about the products, please kindly contact your dealer.

Please note that, in some cases, the illustrations and photos may vary from the actual hardware.

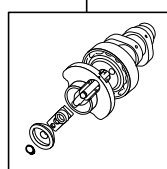
~ Kit Contents ~

01-03-8011
Super Head+R kit(Barrel)



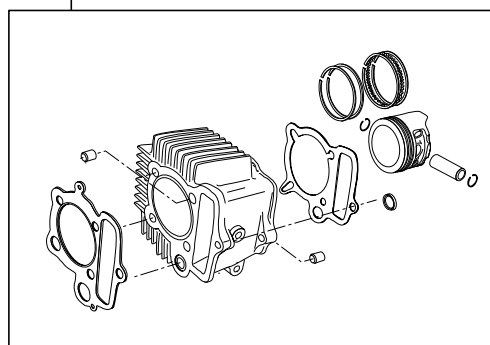
QTY:1

01-08-0103
Cam shaft S-20D



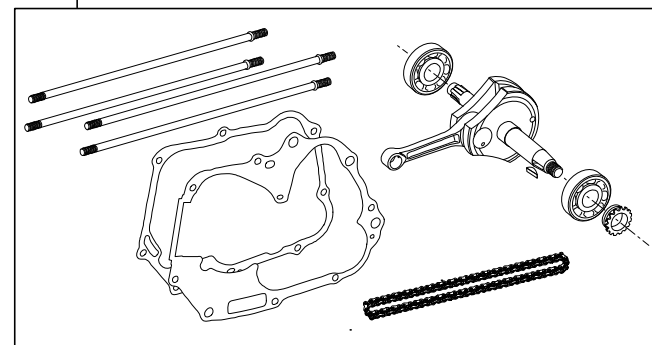
QTY:1

01-04-8124H
124cc H cylinder of the cylinder kit



QTY:1

01-10-8042
Stroke-up crank kit (54 strokes)



QTY:1

Please read the following before starting the installation

This kit is designed for exclusive use for the closed racing. So never use this kit for running on a public road.

We do not take any responsibility for any accident or damage whatsoever arising from the use of this kit not in conformity with the instructions in the manual.

This kit is designed for exclusive use in the above-mentioned applicable models with the specified frame numbers only. Please take note that this kit cannot be mounted on other types of motorcycles.

Installation of this kit entails boring process to the crankcase.

Please be informed that, mainly because of improvement in performance, design changes, and cost increase, the product specifications and prices are subject to change without prior notice.

Due to high power engine, we recommend to use our Special HD crankcase Kit 01-10-0039.

SPECIAL PARTS TAKEGAWA Co.,Ltd.

3-5-16 Nishikiorihigashi Tondabayashi Osaka Japan

TEL : 81-721-25-1357 FAX : 81-721-24-5059 URL : <http://www.takegawa.co.jp>