



SUPER HEAD 4VALVE+R Bore Stroke Up Kit 106cc

Item No. : 01 - 06 8136

Applicable models and frame No.

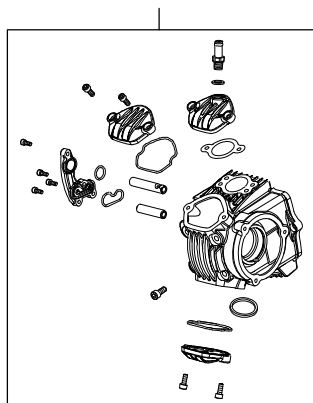
12V Monkey / Gorilla : Z50J-2000001 ~

: AB27-1000001 ~ 1809999

- Thank you for purchasing one of our products. Please strictly follow the following instructions in installing and using the products.
- This is a newly-designed Super head 4VALVE + R / bore stroke up (52x50 106cc) kit. This product, with a camshaft equipped with an automatic decompression function, is so designed that the engine can start easily. Before fitting the products, please check the contents of the kit. We hope that you will follow the instructions for each kit. Should you have any questions about the products, please kindly contact your dealer.

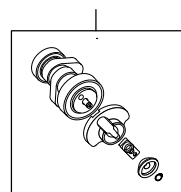
~ Kit Contents ~

01-03-0116
Super Head 4VALVE +R kit



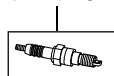
QTY:1

01-08-0141
AUTO DECOMP Cam shaft 10/15D



QTY:1

NGK-ER8EH
spark plug



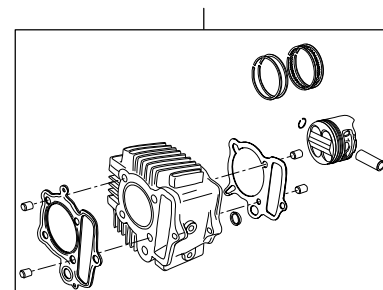
QTY:1

00-00-0247
13mm Plug socket



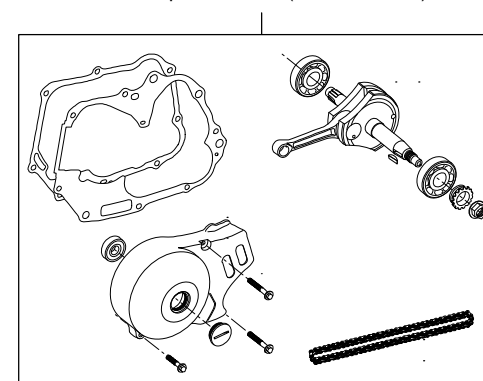
QTY:1

01-04-8010
106cc H cylinder of the cylinder kit



QTY:1

01-10-8432TE
Stroke-up E crank kit (50mm strokes)



QTY:1

Please read the following before starting the installation

This kit is designed for exclusive use for the closed racing. So never use this kit for running on a public road.

We do not take any responsibility for any accident or damage whatsoever arising from the use of this kit not in conformity with the instructions in the manual.

This kit is designed for exclusive use in the above-mentioned applicable models with the specified frame numbers only. Please take note that this kit cannot be mounted on other types of motorcycles.

Special tools are required for the installation of this Kit.

Please be informed that, mainly because of improvement in performance, design changes, and cost increase, the product specifications and prices are subject to change without prior notice.

SPECIAL PARTS TAKEGAWA Co.,Ltd.

3-5-16 Nishikiorihigashi Tondabayashi Osaka Japan TEL : 81-721-25-1357 FAX : 81-721-24-5059 URL : <http://www.takegawa.co.jp>