

# SuperHead 4-Valve+R Bore&stroke Up Kit 138cc

Product number 01-06-8149

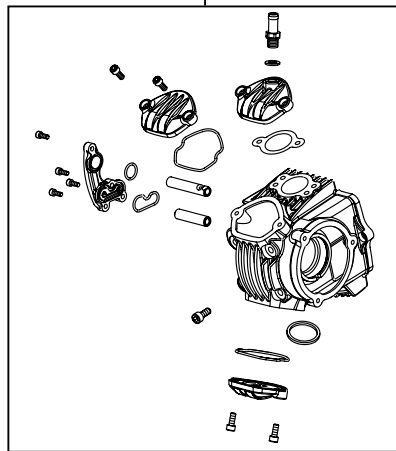
Adaptation model 12V Monkey & Gorilla (Z50J-2000001 ~ )  
(AB27-1000001 ~ 1899999)

- Thank you for purchasing one of our products. Please strictly follow the following instructions in installing and using the products.
  - This is a Super head 4-VALVE+R / bore stroke up (57x54 138cc) kit for the Monkey and Gorilla.
- Before fitting the products, please check the contents of the kit. We hope that you will follow the instructions for each kit. Should you have any questions about the products, please kindly contact your dealer.

◎ Please note that, in some cases, the illustrations and photos may vary from the actual hardware.

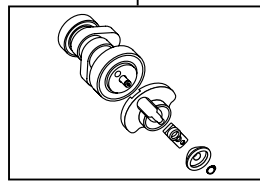
## ~ Kit Contents ~

01-03-0001  
SuperHead 4-Valve+R Kit



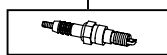
QTY:1

01-08-0143  
Auto-decompression Camshaft(20/25D)



QTY:1

NGK-ER8EH  
Spark plug



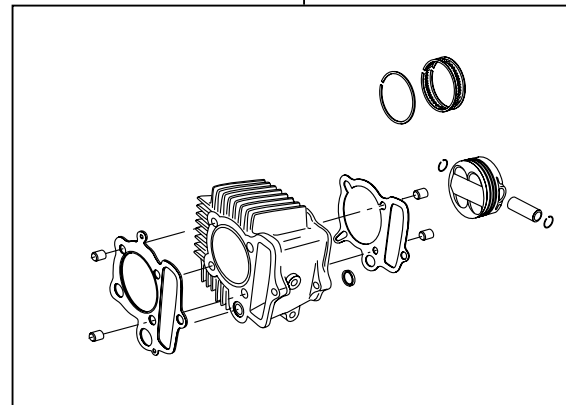
QTY:1

00-00-0247  
Plug socket 13mm



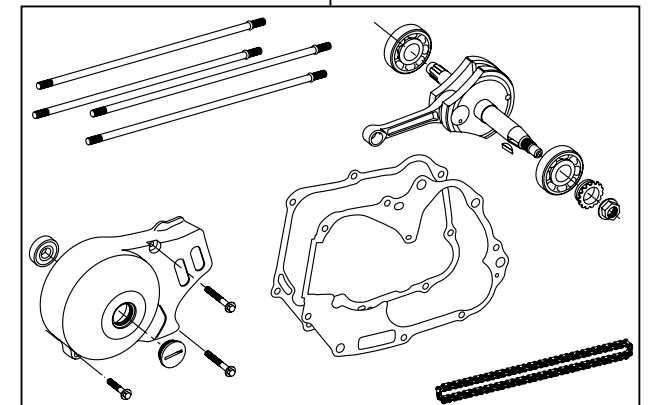
QTY:1

01-04-0134  
CYLINDER KIT (SCUT/138cc)



QTY:1

01-10-0093  
54mm Stroke Up Crankshaft Kit 138cc(3B)



QTY:1

☆ Please read the following before starting the installation ☆

- ◎ This product is designed for exclusive use on the closed course.
- ◎ We do not take any responsibility for any accident or damage whatsoever arising from the use of this kit not in conformity with the instructions in the manual.
- ◎ This kit is designed for exclusive use in the above-mentioned applicable models with the specified frame numbers only. Please take note that this kit cannot be mounted on other types of motorcycles.
- ◎ Please be informed that, mainly because of improvement in performance, design changes, and cost increase, the product specifications and prices are subject to change without prior notice.

**SPECIAL PARTS**  
**TAKEGAWA**

CONTACT Address : 3-5-16 Nishikiorihigashi Tondabayashi Osaka JAPAN  
TEL: +81-721-25-1357 FAX:+81-721-24-5059 e-mail:english@takegawa.co.jp URL http://www.takegawa.co.jp  
Please contact with your name and country name provided. (Only English please)