

SuperHead 4-Valve+R Bore&stroke Up Kit 106cc

Product number 01-06-8151

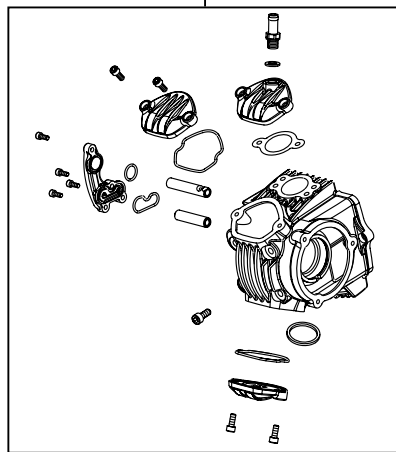
Adaptation model	12V Monkey & Gorilla (Z50J-2000001 ~)
	(AB27-1000001 ~ 1899999)
	Monkey R (AB22-1000017 ~)
	Monkey RT (AB22-1007601 ~)

- Thank you for purchasing one of our products. Please strictly follow the following instructions in installing and using the products.
- This is a Super head 4-VALVE+R / bore stroke up (57x48.9 125cc) kit for the Monkey and Gorilla. This product, with a camshaft equipped with an automatic decompression function, is so designed that the engine can start easily.
- Before fitting the products, please check the contents of the kit. We hope that you will follow the instructions for each kit. Should you have any questions about the products, please kindly contact your dealer.

© Please note that, in some cases, the illustrations and photos may vary from the actual hardware.

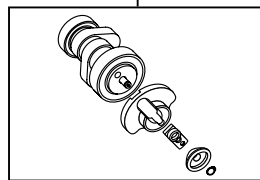
~ Kit Contents ~

01-03-0001
SuperHead 4-Valve+R Kit



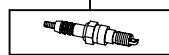
QTY:1

01-08-0141
Auto-decompression Camshaft(10/15D)



QTY:1

NGK-ER8EH
Spark plug



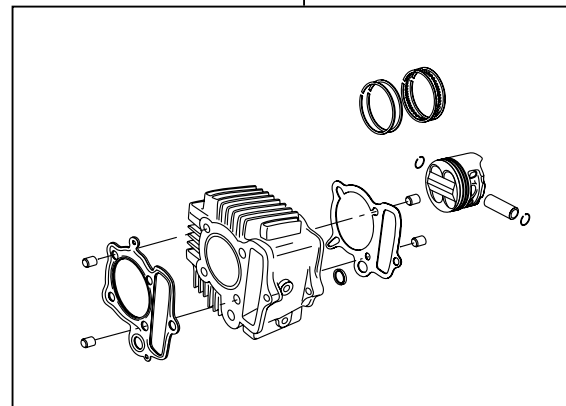
QTY:1

00-00-0247
Plug socket 13mm



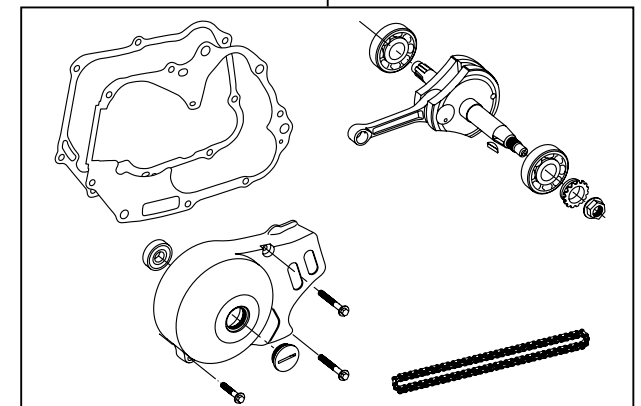
QTY:1

01-04-8010
CYLINDER KIT (H-TYPE/106cc)



QTY:1

01-10-8432T
50mm Stroke Up Crankshaft Kit 106cc(3B)



QTY:1

☆ Please read the following before starting the installation ☆

- © This product is designed for exclusive use on the closed course.
- © We do not take any responsibility for any accident or damage whatsoever arising from the use of this kit not in conformity with the instructions in the manual.
- © This kit is designed for exclusive use in the above-mentioned applicable models with the specified frame numbers only. Please take note that this kit cannot be mounted on other types of motorcycles.
- © Please be informed that, mainly because of improvement in performance, design changes, and cost increase, the product specifications and prices are subject to change without prior notice.
- © Special tools are required for the installation of this Kit.

SPECIAL PARTS
TAKEGAWA

CONTACT Address : 3-5-16 Nishikiorihigashi Tondabayashi Osaka JAPAN
TEL: +81-721-25-1357 FAX:+81-721-24-5059 e-mail:english@takegawa.co.jp URL http://www.takegawa.co.jp
Please contact with your name and country name provided. (Only English please)