



Special Clutch Kit Instruction Manual

(Aluminum die-cast clutch cover. This Kit is for exclusive use in close ratio transmission motorcycles.)

Item No. : 0 2 0 1 5 0 7 3

Fit:

Frame No.:

Monkey Z50J-1300017 ~ / Z50J-2000001 ~ / AB27-1000001 ~

Monkey (FI) AB27-1900001 ~

Gorilla Z50J-1300017 ~ / Z50J-2500001 ~ / AB27-1000001 ~

- Thank you for purchasing one of our products. Please strictly follow the following instructions in installing and using the Kit.
- Before installing the Kit, please be sure to check the Kit contents. Should you have any questions about the Kit, please contact your local motorcycle dealer.

Please note that, in some cases, the illustrations and photos may vary from the actual hardware.

Read all instructions first before starting the installation

We do not take any responsibility for any accident or damage whatsoever arising from the use of the product not in conformity with the instructions in this Instruction Manual.

We shall be held free from any kind of warranty whatsoever of products other than this product if the glitch takes place on the other products than this one after the installation and use of this product.

You are requested not to contact us about the combination of our product with other manufacturers'.

Please note that this Kit is designed for exclusive use in the above-mentioned compatible models and frame numbers only and that it cannot be mounted on any other models.

Those who are technically unskilled or inexperienced are required not to do the work. (Improper installation because of insufficient skill or knowledge could lead to parts breakage.)

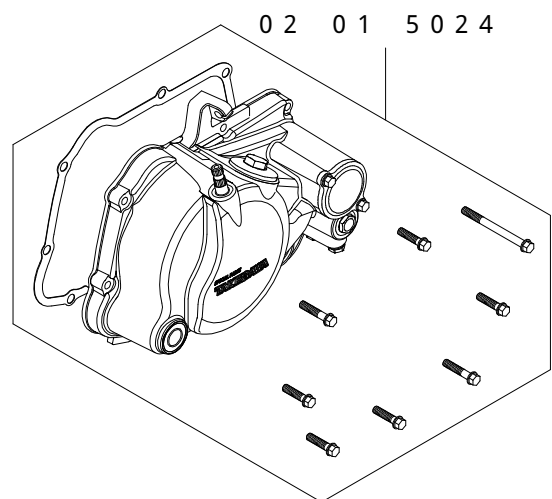
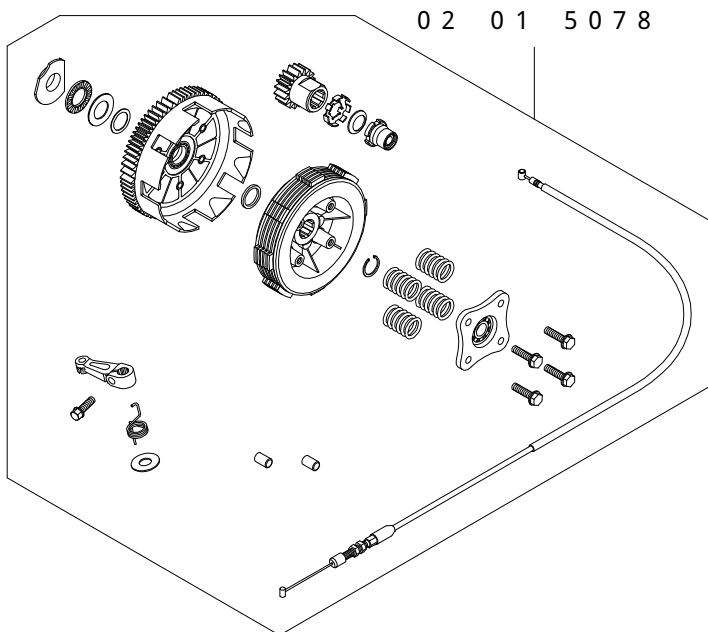
Please be informed that, mainly because of improvement in performance, design changes, and cost increase, the product specifications and prices are subject to change without prior notice.

This is a combined product of an Aluminum Die-Cast Cover Kit and a Special Clutch Standard Kit for use in a close ratio transmission motorcycle. For installation, please refer to instruction manuals for relative products.

Important Notice

The installation of this Kit requires one of the following our original close ratio transmission kits to be installed at the same time: 4-speed, 5-speed, or 6-speed close ratio transmission kit.

Kit includes:



Item No.	Part Name	Qty
02-01-5024	Aluminum Die-Cast Clutch Cover Kit (Brown Painting)	1
02-01-5078	Special Clutch Standard Kit (for use in a close ratio transmission motorcycle)	1

SPECIAL PARTS TAKEGAWA Co.,Ltd.

3-5-16 Nishikiorihigashi Tondabayashi Osaka Japan
 TEL : 81-721-25-1357 FAX : 81-721-24-5059
 URL : <http://www.takegawa.co.jp>