

Rear Disk Brake Kit (Rear damper hub type / stock step)

Item No. 06-08-1761

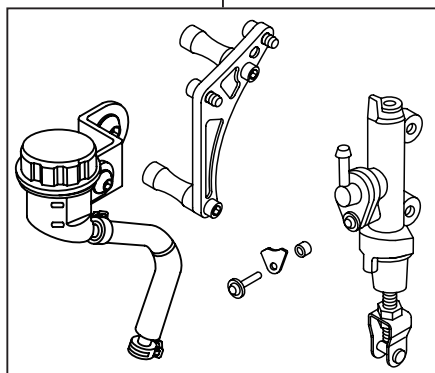
Fitting models & frame No.	Monkey & Gorilla (Z50J-1300017 ~)
	(AB27-1000001 ~)
	Monkey BAJA (Z50J-1700001 ~)

- Thank you for purchasing one of our products. You are requested to follow the below-mentioned instructions in installing this product.
- You are requested to follow the below-mentioned instructions in installing this kit. Should you have any questions about the products, please kindly contact your local dealer.

◎ Please note that, in some cases, the illustrations and photos may vary from the actual hardware.

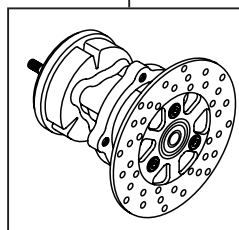
~ Kit includes ~

06-13-0003
Master cylinder set
(For stock step)



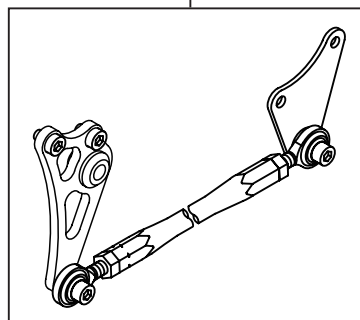
QTY:1

06-08-0025
Rear disc hub kit
(Damper type 2)



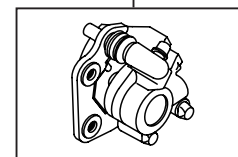
QTY:1

06-08-0044
Caliper bracket kit
(Floating type)



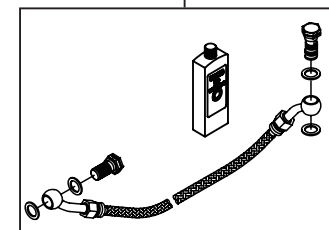
QTY:1

06-08-1732
Rear caliper ASSY.



QTY:1

06-08-0096
Rear brake hose kit
(600mm)



QTY:1

☆ Read all instructions first before starting the installation ☆

- ◎ We do not take any responsibility for any accident or damage whatsoever arising from the use of the products not in conformity with the instructions in this Manual.
- ◎ Please note that this Kit is designed for exclusive use in the above-mentioned fitting models and frame numbers only and that it cannot be mounted on any other models.
- ◎ Please be informed that specifications, design, and prices are subject to change without prior notice.
- ◎ This Kit is for exclusive use on a motorcycle equipped with a 10-inch wheel and a 12cm- or 16cm-long swing arm.
- ◎ A sprocket for 12V motorcycle is needed.

SPECIAL PARTS
TAKEGAWA

CONTACT Address : 3-5-16 Nishikiorihigashi Tondabayashi Osaka JAPAN
 TEL: +81-721-25-1357 FAX: +81-721-24-5059
 e-mail: english@takegawa.co.jp URL http://www.takegawa.co.jp
 Please contact with your name and country name provided. (Only English please)